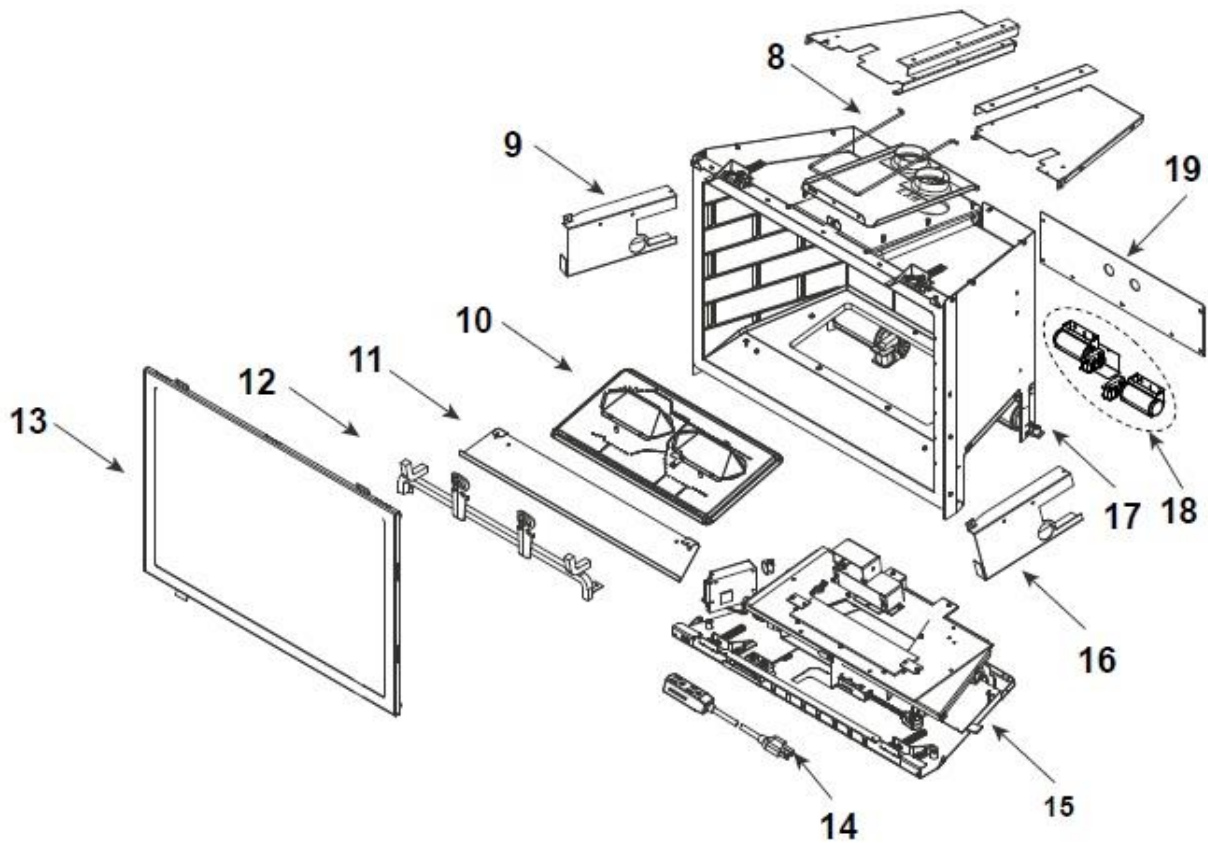
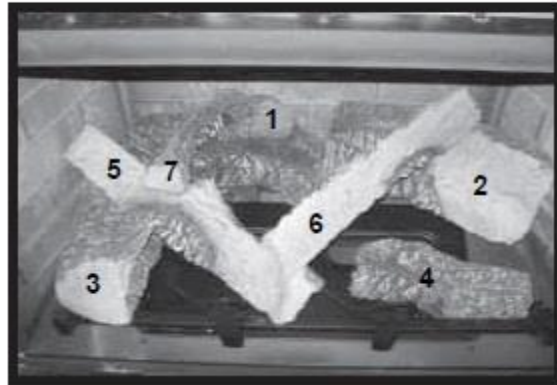


Quadra-Fire QFI35FB Fireplace Insert

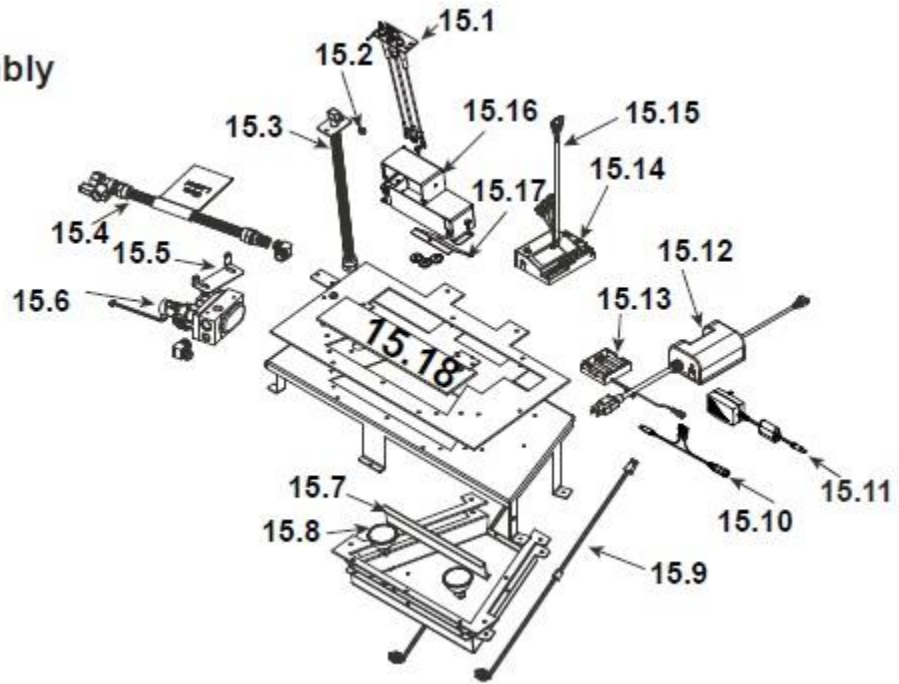
Log Set Assembly



Woodman's Parts Plus
www.woodmanspartsplus.com

ITEM	DESCRIPTION	COMMENTS	PART NUMBER
	Log Assembly		LOGS-QFI35FB
1	Log 1		SRV2223-703
2	Log 2		SRV2223-701
3	Log 3		SRV2223-702
4	Log 4		SRV2223-706
5	Log 5		SRV2223-704
6	Log 6		SRV2223-705
7	Log 7		SRV2221-707
8	Slide Plate Assembly		2202-012
	Gasket, Termination Plate		2201-401
	Slide Plate Handle		2019-201
9	Module Bracket		2201-137
10	Burner		2223-009
11	Media Tray		2202-112
12	Grate Assembly		2223-016
13	Glass Door Assembly		GLA-2202
14	Power Cord Assembly		2201-024
15	Valve Assembly		Refer to valve page
16	Aux Bracket		2201-157
17	RIV-NUT Bracket Assembly	Qty 2 req	2201-027
18	Blower Assembly		GFK-210-C
19	Cover Plate, Back		2202-104

#15 Valve Assembly



ITEM	DESCRIPTION	COMMENTS	PART NUMBER
15.1	Pilot Assembly NG		2202-013
	Pilot Assembly LP		2202-014
15.2	Burner Orifice NG (#31C)		582-831
	Burner Orifice LP (#49C)		582-849
15.3	Flex Assembly		383-302A
15.4	Flex Ball Valve Assembly		2201-108
15.5	Valve Bracket		2202-108
15.6	Valve NG		2166-302
	Valve LP		2166-303
15.7	Air Passage Divider		2202-144
15.8	Ember Bulb	Qty 2 req	2201-150
15.9	Light Wire Assembly		2201-011
15.10	Reset Switch Wire		2326-135
15.11	Transformer, 6 Volt Wall		2326-131
15.12	Auxilliary Box		2166-335
	AUX Extension Wire		2201-155
15.13	**Battery Pack		2166-323
15.14	Module		2166-307
15.15	Wire Assembly		2201-304
15.16	Pilot Bracket		2201-025
15.17	Air Scoop		2201-156
15.18	Ember Glass		2201-115

Woodman's Parts Plus
www.woodmanspartsplus.com

ITEM	DESCRIPTION	COMMENTS	PART NUMBER
	Ember Rocks		2201-853
	Fan Wire Assembly		2206-068
	Fuse Wire Assembly		2206-085
	Glass Clip Support Assembly	Pkg of 2	33858/2
	Glass Latch Support Assembly	Qty 2 req	2146-413
	Lava Rock		4021-296
	Mineral Wool		050-721
	Patch Kit, Firebrick		PATCHKIT-FB
	Remote		RC300-QDF
	Stainless Steel Liner		768-380A
	Touch up Paint		TUP-GBK-12
	Touch Up Paint, Fiber		STRATFORD-KIT
	EMC Filter		2201-198
	Conversion Kit NG		NGK-I35FB-C
	Conversion Kit LP		LPK-I35FB-C
	Pilot Orifice NG		593-528
	Pilot Orifice LP		593-527
	Regulator NG		NGK-DXV-50
	Regulator LP		LPK-DXV-50